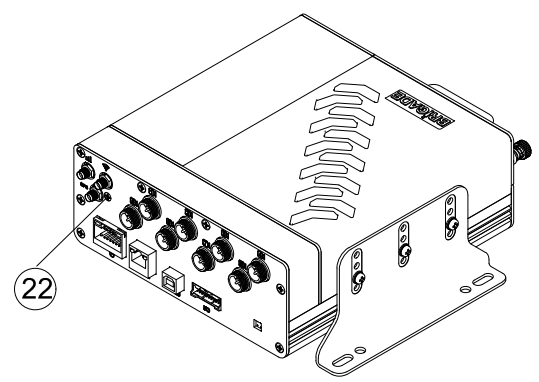
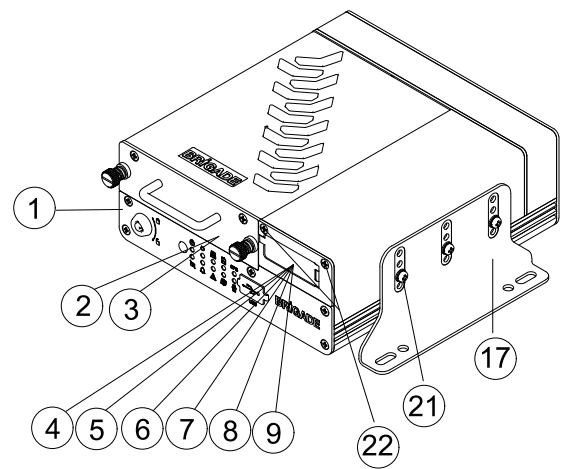
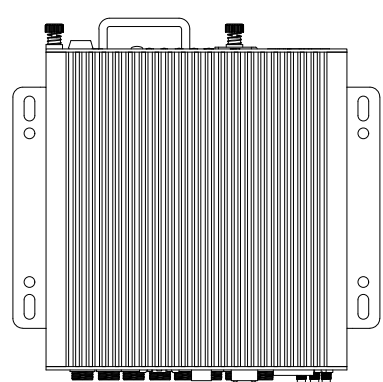
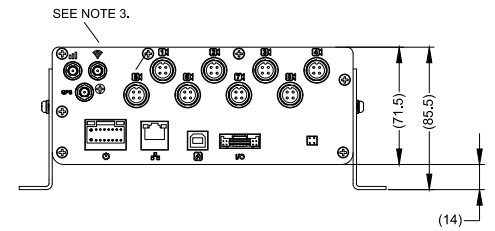
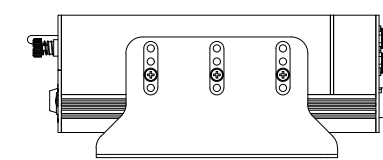
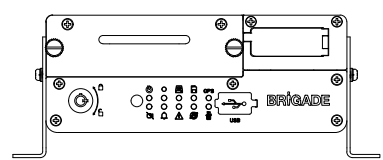
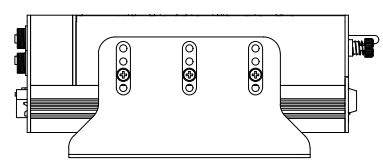
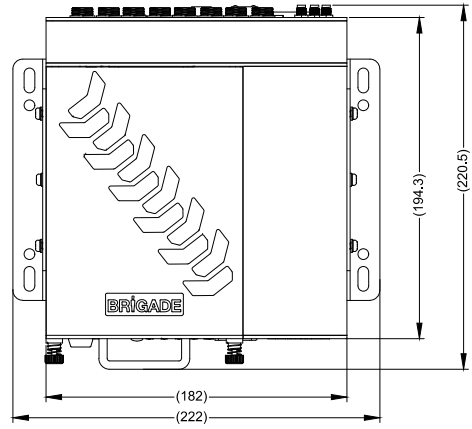


Revision Notes.				
R1 - MCU VERSION NUMBER UPDATED (CR-A552)				
APA: SOFIA ZHANG	Drawn:L. PILLAY	Checked:D. RICHARDSON	Approved:B. JOHN	Date: 30/08/2017
R2 - UPDATE WI-FI MODEL NUMBER, FIRMWARE AND MCU VERSION. RELEASED VIA P1012 4G WIFI RELEASE.				
APA: SOFIA ZHANG	Drawn:L.PILLAY	Checked:J. TYRRELL	Approved: D. WALLIN	Date: 31/10/2017
R3 - ADDING MODELS AS PER P1129 AND P1183				
APA: CAROL LI	Drawn:S. ZHANG	Checked:L. PILLAY	Approved:R. PENTLEY	Date: 10/01/2019
R4 - ADDING INTERIM FM FOR NA MODELS AS PER P1129 RELEASE				
APA: CAROL LI	Drawn:S. ZHANG	Checked:L. PILLAY	Approved:B. JOHN	Date: 18/02/2019
R5 - UPDATING FIRMWARE VERSION AND MANUAL AND CD PART NUMBERS FOR ECR-A583 AND P1296 (9 LANGUAGES, NEW FEATURES AND BUG FIXES)				
APA: CAROL LI	Drawn:S. ZHANG	Checked:L. PILLAY	Approved:R. PENTLEY	Date: 24/07/2019



- NOTES:**
1. REFERENCE INSTRUCTION MANUAL FOR FUNCTIONALITY.
 2. REFER TO COMPONENT DRAWINGS FOR DETAILED COMPONENT INFORMATION.
 3. MOBILE NETWORK AND WI-FI CAPABILITIES DEPEND ON MODEL AND AVAILABILITY.
 4. ANY CUSTOMER MODIFICATION OF THIS PRODUCT CAUSING SUBSEQUENT FAILURE IS NOT A LIABILITY OF BRIGADE ELECTRONICS GROUP PLC.
 5. FIXING SCREWS SUPPLIED IN CLEAR PLASTIC BAG.
 6. VARIOUS SYSTEM OPTIONS A, B, C OR D CONTAIN RELEVANT COMPONENTS.
 7. FOR ALL LABELS AND PACKAGING REFER TO MASTER BOM.
 8. PART DESCRIPTIONS CONTAINING "*" ARE FOUND WITHIN THE CONTROL UNIT. REFER TO MASTER BOM FOR DETAILS.

PROPRIETARY NOTICE
 THIS DESIGN AND TECHNICAL INFORMATION APPEARING ON THIS DRAWING IS THE PROPERTY OF BRIGADE ELECTRONICS, AND IS DISCLOSED IN CONFIDENCE. IT IS NOT TO BE COPIED, REPRODUCED, REVEALED TO OR EXPROPRIATED BY OTHERS, EITHER IN WHOLE OR IN PART WITHOUT THE EXPRESS WRITTEN CONSENT OF BRIGADE ELECTRONICS.



Assembly Pt Approval SOFIA ZHANG	Approved by B. JOHN	Checked by M. BUTLER	Drawn by L.PILLAY
Sheet No 1 of 4	Angle of Projection Third Angle	Units mm	Scale N/A
	Status RELEASED	Released 27/07/17	Assembly Ref N/A
	Part No Various	MDR-508XX-XXXX BE-003408-05-16	

Revision Notes:			
R1 - MCU VERSION NUMBER UPDATED (CR-A552)			
APA: SOFIA ZHANG	Drawn:L. PILLAY	Checked:D. RICHARDSON	Approved:B. JOHN Date: 30/08/2017
R2 - UPDATE WI-FI MODEL NUMBER, FIRMWARE AND MCU VERSION. RELEASED VIA P1012 4G WIFI RELEASE.			
APA: SOFIA ZHANG	Drawn:L.PILLAY	Checked:J. TYRRELL	Approved: D. WALLIN Date: 31/10/2017
R3 - ADDING MODELS AS PER P1129 AND P1183			
APA: CAROL LI	Drawn:S. ZHANG	Checked:L. PILLAY	Approved:R. PENTLEY Date: 10/01/2019
R4 - ADDING INTERIM FM FOR NA MODELS AS PER P1129 RELEASE			
APA: CAROL LI	Drawn:S. ZHANG	Checked:L. PILLAY	Approved:B. JOHN Date: 18/02/2019
R5 - UPDATING FIRMWARE VERSION AND MANUAL AND CD PART NUMBERS FOR ECR-A583 AND P1296 (9 LANGUAGES, NEW FEATURES AND BUG FIXES)			
APA: CAROL LI	Drawn:S. ZHANG	Checked:L. PILLAY	Approved:R. PENTLEY Date: 24/07/2019

ITEM	PART NUMBER	QTY	MODEL NUMBER	DESCRIPTION	MCU VERSION	FIRMWARE VERSION
(A)	5126	1	MDR-508-1000	8 CHANNEL MOBILE DIGITAL RECORDER WITH 1TB HDD, GPS & 64GB SD CARD	T17071201	T190703.06
(B)	5127	1	MDR-508GW-1000	8 CHANNEL MOBILE DIGITAL RECORDER WITH 1TB HDD, GPS, 4G, Wi-Fi & 64GB SD CARD		
(C)	5128	1	MDR-508G-1000	8 CHANNEL MOBILE DIGITAL RECORDER WITH 1TB HDD, GPS, 4G & 64GB SD CARD		
(D)	5129	1	MDR-508W-1000	8 CHANNEL MOBILE DIGITAL RECORDER WITH 1TB HDD, GPS, Wi-Fi & 64GB SD CARD		
(E)	5577	1	MDR-508-2000	8 CHANNEL MOBILE DIGITAL RECORDER WITH 2TB HDD, GPS & 64GB SD CARD		
(F)	5585	1	MDR-508GW-2000	8 CHANNEL MOBILE DIGITAL RECORDER WITH 2TB HDD, GPS, 4G, Wi-Fi & 64GB SD CARD		
(G)	5583	1	MDR-508G-2000	8 CHANNEL MOBILE DIGITAL RECORDER WITH 2B HDD, GPS, 4G & 64GB SD CARD		
(H)	5579	1	MDR-508W-2000	8 CHANNEL MOBILE DIGITAL RECORDER WITH 2TB HDD, GPS, Wi-Fi & 64GB SD CARD		
(I)	5498	1	MDR-508GW-1000(NA)	8 CHANNEL MOBILE DIGITAL RECORDER WITH 1TB HDD, GPS, 4G, Wi-Fi & 64GB SD CARD, NORTH AMERICAN VARIANT		
(J)	5539	1	MDR-508G-1000(NA)	8 CHANNEL MOBILE DIGITAL RECORDER WITH 1TB HDD, GPS, 4G & 64GB SD CARD, NORTH AMERICAN VARIANT		
(K)	5556	1	MDR-508GW-2000(NA)	8 CHANNEL MOBILE DIGITAL RECORDER WITH 2TB HDD, GPS, 4G, Wi-Fi & 64GB SD CARD, NORTH AMERICAN VARIANT		
(L)	5550	1	MDR-508G-2000(NA)	8 CHANNEL MOBILE DIGITAL RECORDER WITH 2TB HDD, GPS, 4G & 64GB SD CARD, NORTH AMERICAN VARIANT		



ITEM	①	②	③	④	⑤	⑥	⑦	⑧
DESCRIPTION	8CH DOCKING STATION *	MOBILE CADDY UNIT WITH 1TB HDD *	MOBILE CADDY UNIT WITH 2TB HDD *	EXPANSION MODULE WITH GPS, 4G, Wi-Fi, G-SENSOR AND 64GB SD CARD *	EXPANSION MODULE WITH GPS, 4G, Wi-Fi, G-SENSOR AND 64GB SD CARD, NORTH AMERICAN VARIANT *	EXPANSION MODULE WITH GPS, 4G, G-SENSOR AND 64GB SD CARD *	EXPANSION MODULE WITH GPS, 4G, G-SENSOR AND 64GB SD CARD, NORTH AMERICAN VARIANT *	EXPANSION MODULE WITH GPS, Wi-Fi, G-SENSOR AND 64GB SD CARD *
MODEL NUMBER	MDR-508-DS	MDR-500-1000-MCU	MDR-500-2000-MCU	MDR-508GW-EXP	MDR-508GW-EXP(NA)	MDR-508G-EXP	MDR-508G-EXP(NA)	MDR-508W-EXP
PART NUMBER	5150	5157	5330	5147	5506	5148	5541	5149
MDR-508-1000 QTY	1	1	-	-	-	-	-	-
MDR-508GW-1000 QTY	1	1	-	1	-	-	-	-
MDR-508G-1000 QTY	1	1	-	-	-	1	-	-
MDR-508W-1000 QTY	1	1	-	-	-	-	-	1
MDR-508GW-1000(NA) QTY	1	1	-	-	1	-	-	-
MDR-508G-1000(NA) QTY	1	1	-	-	-	-	1	-
MDR-508GW-2000(NA) QTY	1	-	1	-	1	-	-	-
MDR-508G-2000(NA) QTY	1	-	1	-	-	-	1	-
MDR-508-2000 QTY	1	-	1	-	-	-	-	-
MDR-508GW-2000 QTY	1	-	1	1	-	-	-	-
MDR-508G-2000 QTY	1	-	1	-	-	1	-	-
MDR-508W-2000 QTY	1	-	1	-	-	-	-	1

- NOTES:
1. REFERENCE INSTRUCTION MANUAL FOR FUNCTIONALITY.
 2. REFER TO COMPONENT DRAWINGS FOR DETAILED COMPONENT INFORMATION.
 3. MOBILE NETWORK AND Wi-Fi CAPABILITIES DEPEND ON MODEL AND AVAILABILITY.
 4. ANY CUSTOMER MODIFICATION OF THIS PRODUCT CAUSING SUBSEQUENT FAILURE IS NOT A LIABILITY OF BRIGADE ELECTRONICS GROUP PLC.
 5. FIXING SCREWS SUPPLIED IN CLEAR PLASTIC BAG.
 6. VARIOUS SYSTEM OPTIONS A, B, C OR D CONTAIN RELEVANT COMPONENTS.
 7. FOR ALL LABELS AND PACKAGING REFER TO MASTER BOM.
 8. PART DESCRIPTIONS CONTAINING "*" ARE FOUND WITHIN THE CONTROL UNIT. REFER TO MASTER BOM FOR DETAILS.

PROPRIETARY NOTICE
 THIS DESIGN AND TECHNICAL INFORMATION APPEARING ON THIS DRAWING IS THE PROPERTY OF BRIGADE ELECTRONICS, AND IS DISCLOSED IN CONFIDENCE. IT IS NOT TO BE COPIED, REPRODUCED, REVEALED TO OR EXPROPRIATED BY OTHERS, EITHER IN WHOLE OR IN PART WITHOUT THE EXPRESS WRITTEN CONSENT OF BRIGADE ELECTRONICS.



Assembly Pl Approval SOFIA ZHANG		Approved by B. JOHN	Checked by M. BUTLER	Drawn by L.PILLAY
Sheet No 2 of 4	Angle of Projection Third Angle	Units mm	Scale N/A	Released 27/07/17
Status RELEASED		MDR-508XX-XXXX		
Part No Various	BE-003408-05-16			

Revision Notes.				
R1 - MCU VERSION NUMBER UPDATED (CR-A552)				
APA: SOFIA ZHANG	Drawn:L. PILLAY	Checked:D. RICHARDSON	Approved:B. JOHN	Date: 30/08/2017
R2 - UPDATE WI-FI MODEL NUMBER, FIRMWARE AND MCU VERSION. RELEASED VIA P1012 4G WIFI RELEASE.				
APA: SOFIA ZHANG	Drawn:L.PILLAY	Checked:J. TYRRELL	Approved: D. WALLIN	Date: 31/10/2017
R3 - ADDING MODELS AS PER P1129 AND P1183				
APA: CAROL LI	Drawn:S. ZHANG	Checked:L. PILLAY	Approved:R. PENTLEY	Date: 10/01/2019
R4 - ADDING INTERIM FM FOR NA MODELS AS PER P1129 RELEASE				
APA: CAROL LI	Drawn:S. ZHANG	Checked:L. PILLAY	Approved:B. JOHN	Date: 18/02/2019
R5 - UPDATING FIRMWARE VERSION AND MANUAL AND CD PART NUMBERS FOR ECR-A583 AND P1296 (9 LANGUAGES, NEW FEATURES AND BUG FIXES)				
APA: CAROL LI	Drawn:S. ZHANG	Checked:L. PILLAY	Approved:R. PENTLEY	Date: 24/07/2019

ITEM	⑨	⑩	⑪	⑫	⑬	⑭	⑮	⑯
DESCRIPTION	EXPANSION MODULE WITH GPS, G-SENSOR AND 64GB SD CARD *	MDR INPUT / OUTPUT CABLE (NOT SHOWN)	MDR POWER CABLE (NOT SHOWN)	MDR GPS ANTENNA (NOT SHOWN)	MDR MOBILE NETWORK ANTENNA (NOT SHOWN)	MDR Wi-Fi ANTENNA (NOT SHOWN)	MDR USB A TO B CABLE (NOT SHOWN)	SECURITY KEY (NOT SHOWN)
MODEL NUMBER	MDR-508-EXP	MDR-IO-01	MDR-PWR-01	MDR-ANT-GPS-01	MDR-ANT-MOB-01	MDR-ANT-WIFI-01	MDR-USB-B-02	MDR-KEY-01
PART NUMBER	5146	5142	5141	4883	4989	4990	5195	4891
MDR-508-1000 QTY	1	1	1	1	-	-	1	1
MDR-508GW-1000 QTY	-	1	1	1	1	1	1	1
MDR-508G-1000 QTY	-	1	1	1	1	-	1	1
MDR-508W-1000 QTY	-	1	1	1	-	1	1	1
MDR-508GW-1000(NA) QTY	-	1	1	1	1	1	1	1
MDR-508G-1000(NA) QTY	-	1	1	1	1	-	1	1
MDR-508GW-2000(NA) QTY	-	1	1	1	1	1	1	1
MDR-508G-2000(NA) QTY	-	1	1	1	1	-	1	1
MDR-508-2000 QTY	1	1	1	1	-	-	1	1
MDR-508GW-2000 QTY	-	1	1	1	1	1	1	1
MDR-508G-2000 QTY	-	1	1	1	1	-	1	1
MDR-508W-2000 QTY	-	1	1	1	-	1	1	1

- NOTES:
1. REFERENCE INSTRUCTION MANUAL FOR FUNCTIONALITY.
 2. REFER TO COMPONENT DRAWINGS FOR DETAILED COMPONENT INFORMATION.
 3. MOBILE NETWORK AND Wi-Fi CAPABILITIES DEPEND ON MODEL AND AVAILABILITY.
 4. ANY CUSTOMER MODIFICATION OF THIS PRODUCT CAUSING SUBSEQUENT FAILURE IS NOT A LIABILITY OF BRIGADE ELECTRONICS GROUP PLC.
 5. FIXING SCREWS SUPPLIED IN CLEAR PLASTIC BAG.
 6. VARIOUS SYSTEM OPTIONS A, B, C OR D CONTAIN RELEVANT COMPONENTS.
 7. FOR ALL LABELS AND PACKAGING REFER TO MASTER BOM.
 8. PART DESCRIPTIONS CONTAINING "*" ARE FOUND WITHIN THE CONTROL UNIT. REFER TO MASTER BOM FOR DETAILS.

PROPRIETARY NOTICE
 THIS DESIGN AND TECHNICAL INFORMATION APPEARING ON THIS DRAWING IS THE PROPERTY OF BRIGADE ELECTRONICS, AND IS DISCLOSED IN CONFIDENCE. IT IS NOT TO BE COPIED, REPRODUCED, REVEALED TO OR EXPROPRIATED BY OTHERS, EITHER IN WHOLE OR IN PART WITHOUT THE EXPRESS WRITTEN CONSENT OF BRIGADE ELECTRONICS.



Assembly Pl Approval SOFIA ZHANG		Approved by B. JOHN	Checked by M. BUTLER	Drawn by L.PILLAY
Sheet No 3 of 4	 Angle of Projection Third Angle	Units mm	Scale N/A	Released 27/07/17
Status RELEASED		MDR-508XX-XXXX		
Part No Various		BE-003408-05-16		

Revision Notes.				
R1 - MCU VERSION NUMBER UPDATED (CR-A552)				
APA: SOFIA ZHANG	Drawn:L. PILLAY	Checked:D. RICHARDSON	Approved:B. JOHN	Date: 30/08/2017
R2 - UPDATE WI-FI MODEL NUMBER, FIRMWARE AND MCU VERSION. RELEASED VIA P1012 4G WIFI RELEASE.				
APA: SOFIA ZHANG	Drawn:L.PILLAY	Checked:J. TYRRELL	Approved: D. WALLIN	Date: 31/10/2017
R3 - ADDING MODELS AS PER P1129 AND P1183				
APA: CAROL LI	Drawn:S. ZHANG	Checked:L. PILLAY	Approved:R. PENTLEY	Date: 10/01/2019
R4 - ADDING INTERIM FM FOR NA MODELS AS PER P1129 RELEASE				
APA: CAROL LI	Drawn:S. ZHANG	Checked:L. PILLAY	Approved:B. JOHN	Date: 18/02/2019
R5 - UPDATING FIRMWARE VERSION AND MANUAL AND CD PART NUMBERS FOR ECR-A583 AND P1296 (9 LANGUAGES, NEW FEATURES AND BUG FIXES)				
APA: CAROL LI	Drawn:S. ZHANG	Checked:L. PILLAY	Approved:R. PENTLEY	Date: 24/07/2019

ITEM	17	18	19	20	21	22	23
DESCRIPTION	2 x MDR BRACKETS	MOUSE (NOT SHOWN)	ENGLISH INSTALLATION GUIDE (NOT SHOWN)	INSTALLATION CD (NOT SHOWN)	7 x FIXINGS FOR MDR BRACKETS	FIXINGS FOR MDR EXPANSION MODULES	VEHICLE WARNING STICKER (NOT SHOWN)
MODEL NUMBER	MDR-BKT-01	MDR-MOUSE-01	MDR-500xx-IG-EN	MDR-500-CD	MDR-BKT-FIX-01	MDR-EXP-FIX-01	MDR-VWS
PART NUMBER	5138	5250	5145B	5144D	5197	5196	5252
MDR-508-1000 QTY	1	1	1	1	1	1	1
MDR-508GW-1000 QTY	1	1	1	1	1	1	1
MDR-508G-1000 QTY	1	1	1	1	1	1	1
MDR-508W-1000 QTY	1	1	1	1	1	1	1
MDR-508GW-1000(NA) QTY	1	1	1	1	1	1	1
MDR-508G-1000(NA) QTY	1	1	1	1	1	1	1
MDR-508GW-2000(NA) QTY	1	1	1	1	1	1	1
MDR-508G-2000(NA) QTY	1	1	1	1	1	1	1
MDR-508-2000 QTY	1	1	1	1	1	1	1
MDR-508GW-2000 QTY	1	1	1	1	1	1	1
MDR-508G-2000 QTY	1	1	1	1	1	1	1
MDR-508W-2000 QTY	1	1	1	1	1	1	1



- NOTES:
1. REFERENCE INSTRUCTION MANUAL FOR FUNCTIONALITY.
 2. REFER TO COMPONENT DRAWINGS FOR DETAILED COMPONENT INFORMATION.
 3. MOBILE NETWORK AND Wi-Fi CAPABILITIES DEPEND ON MODEL AND AVAILABILITY.
 4. ANY CUSTOMER MODIFICATION OF THIS PRODUCT CAUSING SUBSEQUENT FAILURE IS NOT A LIABILITY OF BRIGADE ELECTRONICS GROUP PLC.
 5. FIXING SCREWS SUPPLIED IN CLEAR PLASTIC BAG.
 6. VARIOUS SYSTEM OPTIONS A, B, C OR D CONTAIN RELEVANT COMPONENTS.
 7. FOR ALL LABELS AND PACKAGING REFER TO MASTER BOM.
 8. PART DESCRIPTIONS CONTAINING "*" ARE FOUND WITHIN THE CONTROL UNIT. REFER TO MASTER BOM FOR DETAILS.

PROPRIETARY NOTICE
 THIS DESIGN AND TECHNICAL INFORMATION APPEARING ON THIS DRAWING IS THE PROPERTY OF BRIGADE ELECTRONICS, AND IS DISCLOSED IN CONFIDENCE. IT IS NOT TO BE COPIED, REPRODUCED, REVEALED TO OR EXPROPRIATED BY OTHERS, EITHER IN WHOLE OR IN PART WITHOUT THE EXPRESS WRITTEN CONSENT OF BRIGADE ELECTRONICS.

BRIGADE
 www.brigade-electronics.com

Assembly Pl Approval SOFIA ZHANG		Approved by B. JOHN	Checked by M. BUTLER	Drawn by L.PILLAY
Sheet No 4 of 4	 Angle of Projection Third Angle	Units mm	Scale N/A	Released 27/07/17
Status RELEASED		MDR-508XX-XXXX		
Part No Various		BE-003408-05-16		